

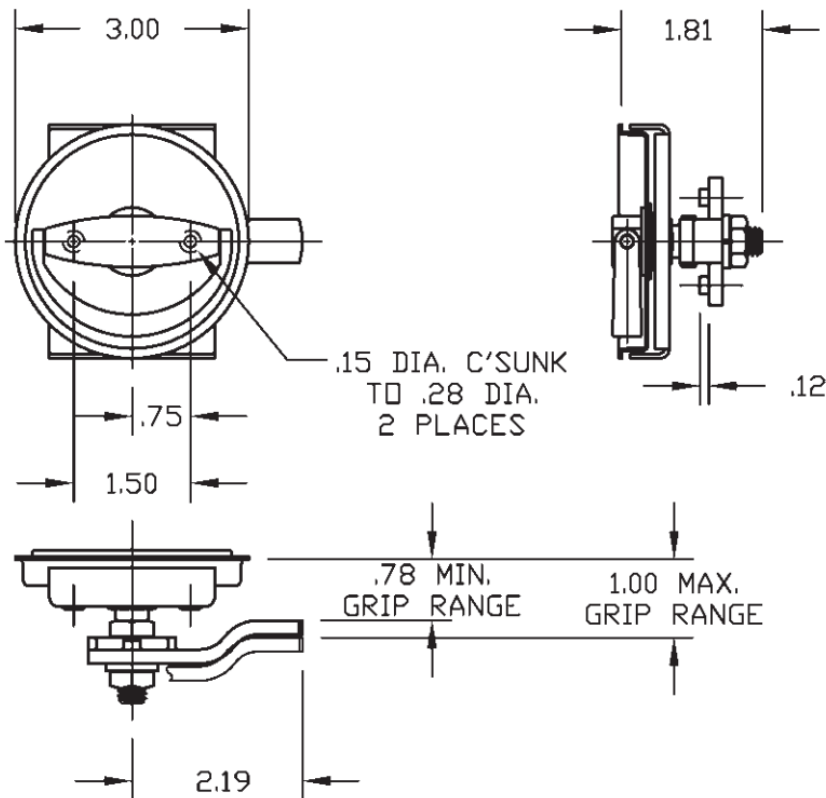
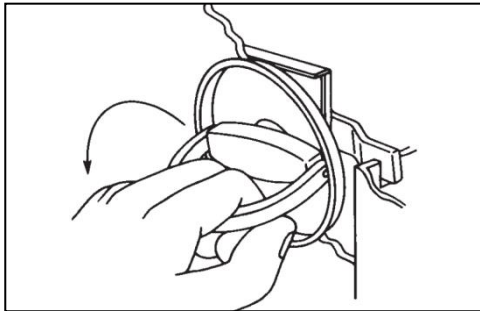
8001 D-Ring Latch

Features

- This versatile recessed drop-handle latch incorporates a chrome steel, recessed pan with a drop handle, and crossbar cast onto a threaded, stainless steel shank
- Standard model includes handle with shank, receptacle and mounting bracket
- Grip is adjustable from 7/8" to 1"

Material

- Chrome plated pan and handle with zinc plated cam



Part No.

8001-XU-03

Dimensions in inches